



EML25

Munich Pendant Eurotique Family



Catalog Number
Notes
Type

Hit the Tab key or mouse over the page to see all interactive elements.

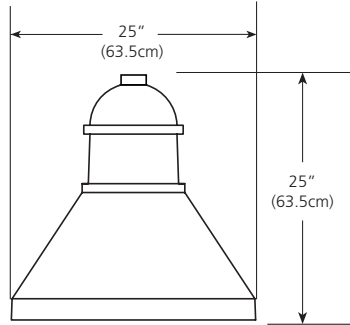
Introduction

The Munich is a European-styled pendant luminaire suitable for use with a variety of Eurotique decorative arms and poles.

Intended for use in pedestrian areas such as retail environments, public parks, city centers and commercial areas or other spaces with decorative requirements and a contemporary theme.

Specifications

EPA:	1.2ft ²
Height:	25"
Diameter:	25"
Weight:	60 lbs

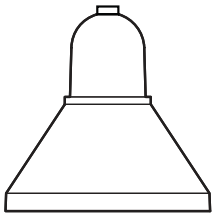


Ordering Information

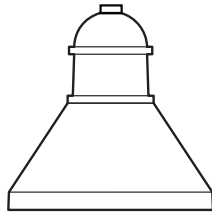
EXAMPLE: EML25 ST 63LED 350MA 4K R3 GCF 120 DDBXD

EML25															
Series	Base	Performance Package		Color Temperature		Distribution		Lens Option		Voltage	Mounting		Finish		
EML25	ST	Smooth	49LED 350MA	5,000 lumens	3K	3000K	R2	Type 2	GCF	Glass clear flat	MVOLT	QSME	Quick Stem Mount	DDBXD	Super durable dark bronze
	RT	Ringed	49LED 525MA	6,700 lumens	4K	4000K	R3	Type 3	GCSG	Glass clear sag	120			DBLXD	Super durable black
	FLT	Fluted	63LED 350MA	6,000 lumens	5K	5000K	R4	Type 4			208			DNAXD	Super durable natural aluminum
			63LED 525MA	8,200 lumens			R5	Type 5			240			DWHXD	Super durable white
										277			ANBK	Antique black	
										347				ANDB	Antique dark bronze
										480				ANDG	Antique dark green
														ANVG	Antique verde green

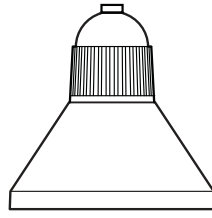
Base



ST
Smooth

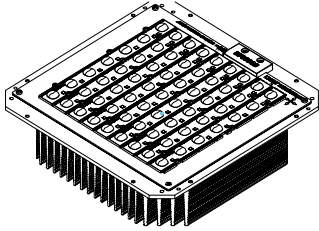


RT
Ringed



FLT
Fluted

Performance Package

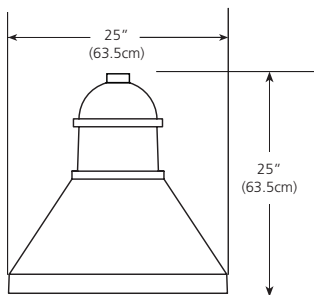


63 LED Light Engine Module

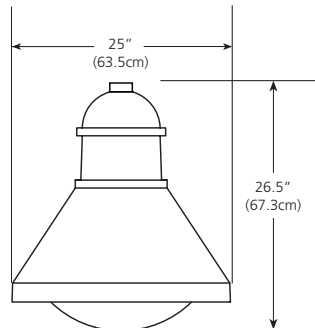
Performance Package	Watts	Distribution	3000K CCT		4000K CCT		5000K CCT	
			Lumens	Efficacy	Lumens	Efficacy	Lumens	Efficacy
49LED 350mA	59	R2	4,495	76	4,994	85	4,994	85
		R3	4,780	81	5,311	90	5,311	90
		R4	4,669	79	5,188	88	5,188	88
		R5	4,955	84	5,506	93	5,506	93
49LED 525mA	87	R2	6,030	69	6,700	77	6,700	77
		R3	6,412	74	7,125	82	7,125	82
		R4	6,264	72	6,960	80	6,960	80
		R5	6,648	76	7,387	85	7,387	85
63LED 350mA	74	R2	5,434	73	6,038	82	6,038	82
		R3	5,779	78	6,421	87	6,421	87
		R4	5,645	76	6,272	85	6,272	85
		R5	5,991	81	6,657	90	6,657	90
63LED 525mA	110	R2	7,322	67	8,135	74	8,135	74
		R3	7,786	71	8,651	79	8,651	79
		R4	7,605	69	8,450	77	8,450	77
		R5	8,072	73	8,969	82	8,969	82

Data is considered accurate as of the revision date, shown in the highest operating temperature available. Antique Street Lamps reserves the right to modify specifications without notice.

Lens Option



GCF
Glass, Clear Flat



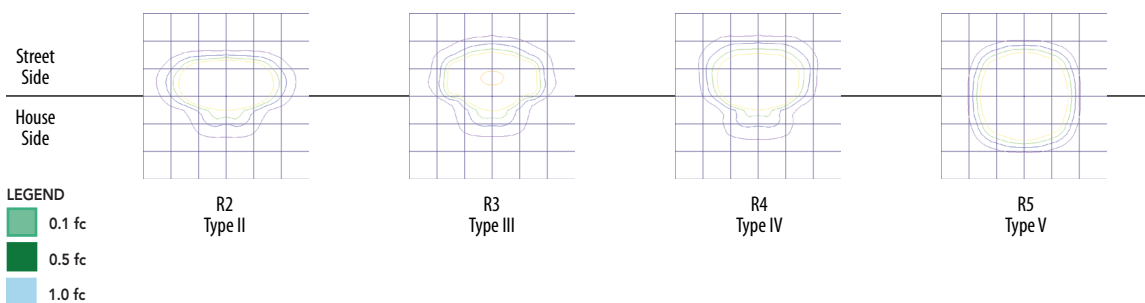
GCSG
Glass, Clear Sag



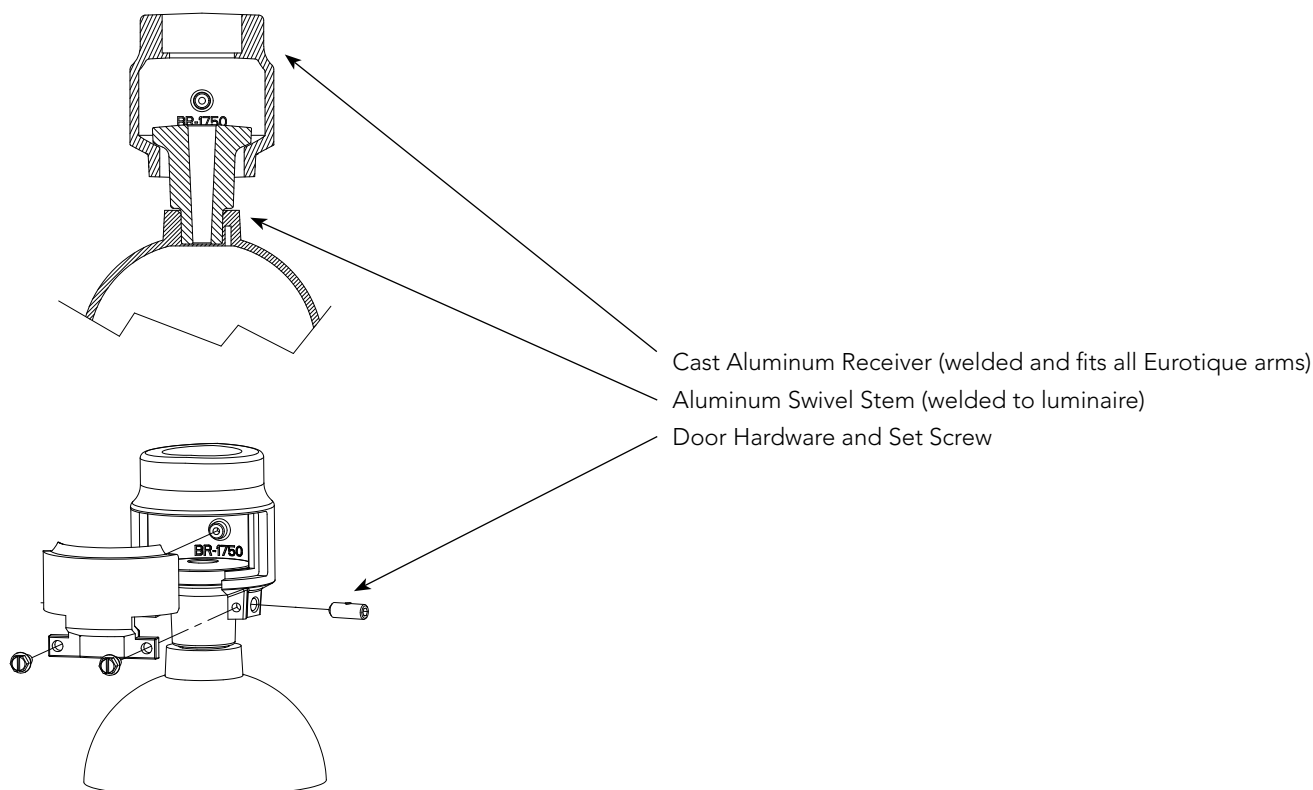
Consistent with LEED® goals & Green Globes® criteria for light pollution reduction

Notes:
Nighttime Friendly™ distributions available with GCF lens only.

Distribution



Installation



FEATURES & SPECIFICATIONS

INTENDED USE

This European-styled pendant or wall mount decorative luminaire is perfect for area lighting in retail, city-center, pedestrian areas or any other space with decorative requirements with a contemporary theme.

CONSTRUCTION

This luminaire consists of a driver housing with an attached skirt to shield the source from view while allowing the widest distribution. The light source is protected by your choice of a flat or sag-glass lens and assembled with stainless steel hardware. Driver and light engine assembly mount on a removeable assembly plate and are furnished with quick-disconnect plugs for ease of installation and maintenance.

FINISH

Exterior parts are protected by a zinc-infused Super Durable TGIC thermoset powder coat finish that provides superior resistance to corrosion and weathering. A tightly controlled multi-stage process ensures a minimum 3 mils thickness for a finish that can withstand extreme climate changes without cracking or peeling.

OPTICS

Precision acrylic refractive optics for optimum light distribution through the flat or sag glass lens. Light engines are available in 3000K, 4000K or 5000K with a color rendering index (CRI) of 70 and is shielded by the skirt which blocks the view of the source from high angles.

ELECTRICAL

Light engine consists of either 49 or 63 high-efficiency LEDs mounted to a metal core circuit board and aluminum heat sink ensuring optimal thermal management and long life. Class 1 electronic driver is designed to have a power factor > 90%, THD < 20% and an expected life of 100,000 hours.

INSTALLATION

A universal quick stem mount assembly (QSME) is standard for all Eurotique luminaires and mounting arms. An aluminum cast receiver mounting hub is provided with all mounting arms and welded in place. The mating aluminum swivel stem is provided with all luminaires and welded in place. The luminaire is hung by opening the door on the cast receiver of the mounting arm, placing in the stem/luminaire and securing the door with hardware provided.

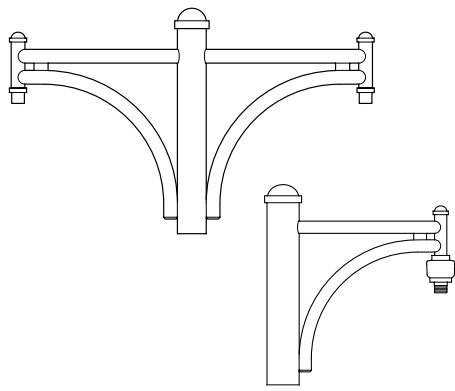
LISTINGS

CSA certified to U.S. and Canadian standards and labeled as suitable for wet locations.

WARRANTY

5-year limited warranty. This is the only warranty provided and no other statements in this specification sheet create any warranty of any kind. All other express and implied warranties are disclaimed. Complete warranty terms located at: www.acuitybrands.com/support/customer-support/terms-and-conditions

Note: Actual performance may differ as a result of end-user environment and application. All values are design or typical values, measured under laboratory conditions at 25C. Specifications subject to change without notice.



EAD Series

Eurotique Family Pendant Arm and Wall Bracket

Catalog Number
Notes
Type

Hit the Tab key or mouse over the page to see all interactive elements.

Introduction

This European styled simple EAD mounting arms is available in single, twin or wall bracket configurations and supports the Eurotique Munich or Hanover luminaires.

Specifications

EPA: 2.4ft²

EAD4: Fits on 3.375" dia. X 11" tall tenon

EAD5: Fits on 4.375" dia. X 11" tall tenon

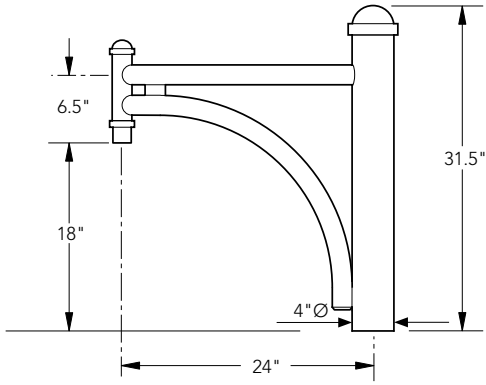
Arms feature a universal quick stem mount that fits all luminaire sizes.

Ordering Information

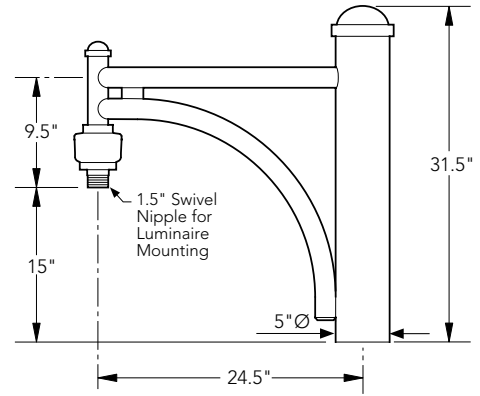
EXAMPLE: EAD4/1 QSME ANBK PER PE1

Series	Mounting	Finish	Options
EAD4/1 4" Single Pendant	QSME Quick Stem Mount	DDBXD Super durable dark bronze	PER Standard 3-pin NEMA Receptacle
EAD5/1 5" Single Pendant		DBLXD Super durable black	PER5 5-pin NEMA Receptacle
EAD4/2 4" Double Pendant		DNAXD Super durable natural aluminum	PER7 7-pin NEMA Receptacle
EAD5/2 5" Double Pendant		DWHXD Super durable white	
EAD4WB 4" Wall Bracket		ANBK Antique black	
EAD5WB 5" Wall Bracket		ANDB Antique dark bronze	
		ANDG Antique dark green	
		ANVG Antique verde green	
		Notes: Consult Factory for RAL colors or custom match	Notes: PER, PER5 and PER7 replace the center finial PER, PER5 and PER7 not available with EAA4WB Wall Bracket Photocontrols must be ordered separately

Single Pendant

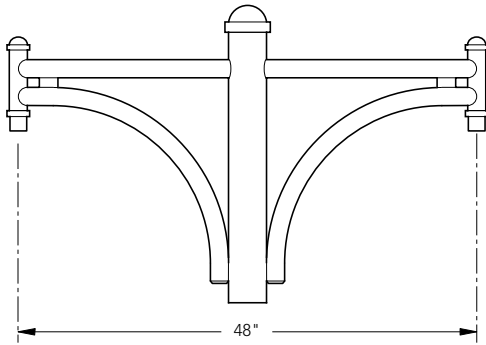


EAD4/1

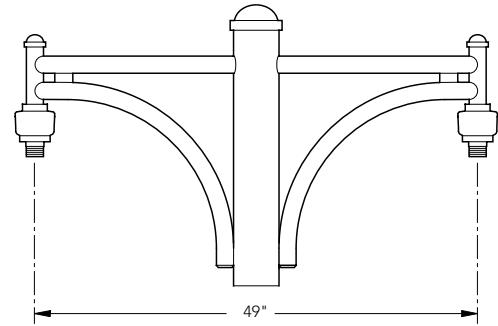


EAD5/1

Double Pendant

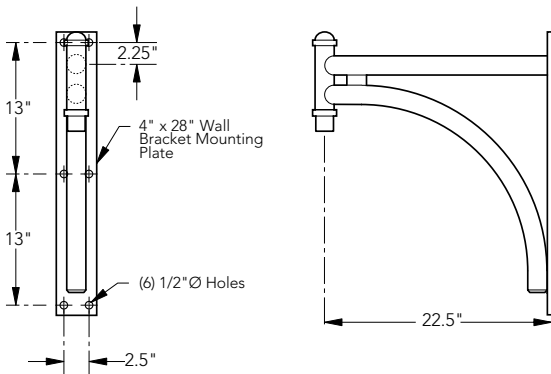


EAD4/2

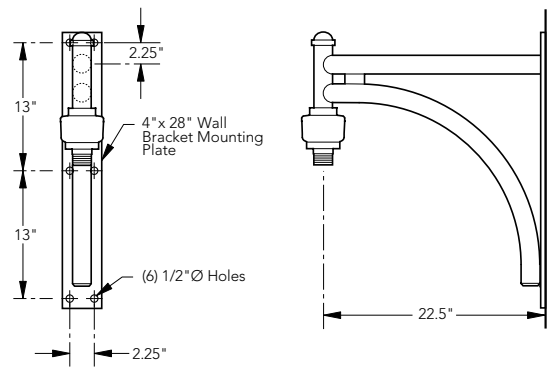


EAD5/2

Wall Mount Bracket



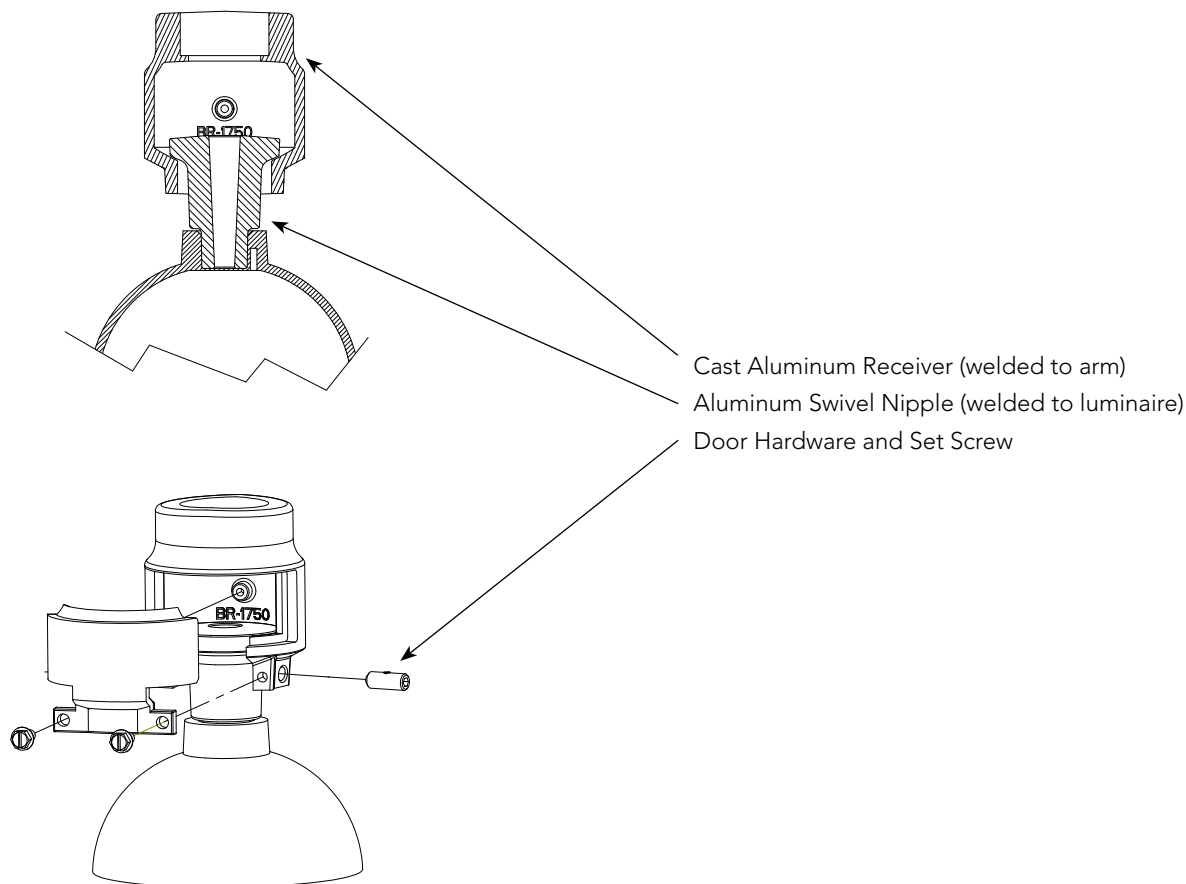
EAD4WB



EAD5WB

Installation

The luminaire is installed using a universal quick stem mount at the top for mounting to the Eurotique 4" and 5" diameter arms. An aluminum cast receiver mounting hub is provided with all mounting arms and welded in place. The mating aluminum swivel stem is provided with all luminaires and welded in place. The luminaire is hung by opening the door on the cast receiver of the mounting arm, placing in the stem/luminaire and securing the door with hardware provided.



FEATURES & SPECIFICATIONS

INTENDED USE

This European-styled arm for pendant luminaires is perfect for area lighting in retail, city-center, pedestrian areas or any other space with decorative requirements with a contemporary theme.

CONSTRUCTION

The arms and wall brackets are made of round metal tubing welded to a center spool. A universal quick stem mount receiver is standard across all 4" and 5" Eurotique arms and wall brackets. All welding is performed per ANSI/AWS D1.2 and completed by certified welder.

FINISH

Exterior parts are protected by a zinc-infused Super Durable TGIC thermoset powder coat finish that provides superior resistance to corrosion and weathering. A tightly controlled multi-stage process ensures a minimum 3 mils thickness for a finish that can withstand extreme climate changes without cracking or peeling.

INSTALLATION

A universal quick stem mount assembly (QSME) is standard for all Eurotique luminaires and mounting arms. An aluminum cast receiver mounting hub is provided with all mounting arms and welded in place. The mating aluminum swivel stem is provided with all luminaires and welded in place. The luminaire is hung by opening the door on the cast receiver of the mounting arm, placing in the stem/luminaire and securing the door with hardware provided.

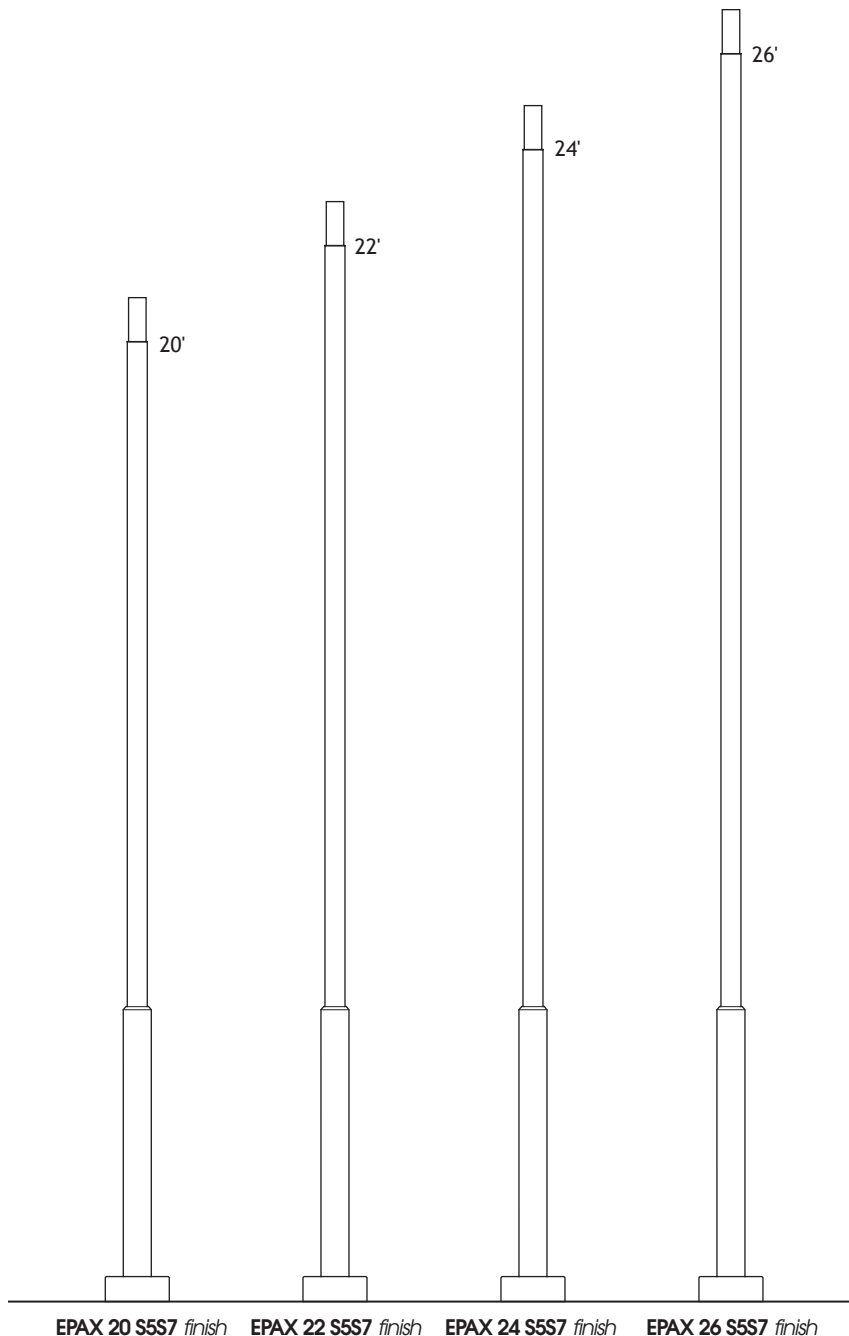
WARRANTY

5-year limited warranty. This is the only warranty provided and no other statements in this specification sheet create any warranty of any kind. All other express and implied warranties are disclaimed. Complete warranty terms located at: www.acuitybrands.com/support/customer-support/terms-and-conditions

Note: Actual performance may differ as a result of end-user environment and application. All values are design or typical values, measured under laboratory conditions at 25 °C. Specifications subject to change without notice.

EUROTIQUE™ ALUMINUM POLES

5"Ø/7"Ø • 20'-26' tall



SPECIFICATIONS

DESCRIPTION

The lighting poles shall be one-piece all aluminum construction with a two-piece base cover. The poles shall have a stepped shaft with integral anchor/base plate. All welding shall be per ANSI/AWS D1.2. All welders shall be certified. The poles shall be Antique Street Lamps' catalog number **EPAX XX S5S7 finish**.

MATERIALS

The poles shall be extruded aluminum with cast aluminum anchor plate, base cover and handhole cover. All exposed hardware shall be tamper resistant stainless steel. Anchor bolts to be completely hot-dip galvanized. Partially galvanized bolts are not acceptable.

DIMENSIONS

The poles shall be $X'-XX''$ in height with a 16" diameter base cover. An integral 4.375" O.D. x 11" tenon shall be provided at the top for mounting Eurotique 5" arms (exceptions following). A 4.375" O.D. x 8" tenon shall be provided when mounting Eurotique arm EAL5. No tenon shall be provided at the top when mounting Eurotique arm EAK5 which has an internal tenon.

INSTALLATION

The one-piece poles shall be provided with four 1" diameter by 36" long, L-type anchor bolts to be installed on a 10.5" diameter bolt circle. A handhole with cover shall be provided in the lower shaft section for wiring access. A grounding screw shall be provided inside the handhole. Eight set screws shall be provided at the top when mounting Eurotique arm EAK5.

For finish specifications and color options, see "Finish" section in catalog.

EUROTIQUE™
Architectural Lighting

ANTIQUE Street Lamps
An **Acuity** Brands Company

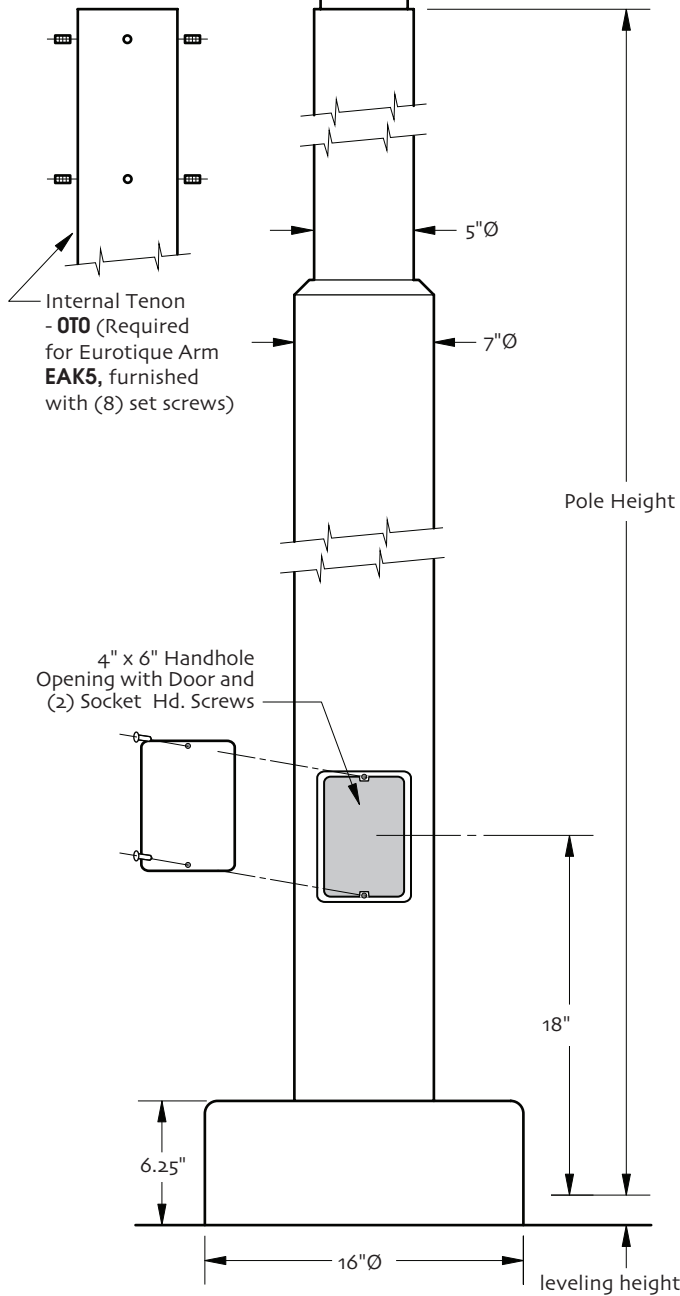
2011-B W. Rundberg Ln. • Austin, TX 78758
Ph (512) 977-8444 • Fax (512) 977-9622
www.antiquestreetlamps.com

EUROTIQUE™ ALUMINUM POLES

5"Ø/7"Ø • 20' - 26' tall

4.375" O.D. x 11" High Tenon
4-3/8T11 (standard)

4.375" O.D. x 8" High Tenon
4-3/8T8 (Required for Eurotique Arm EAL5)



ORDERING INFORMATION

Choose the **boldface** catalog nomenclature that best suits your needs and write it on the appropriate line.

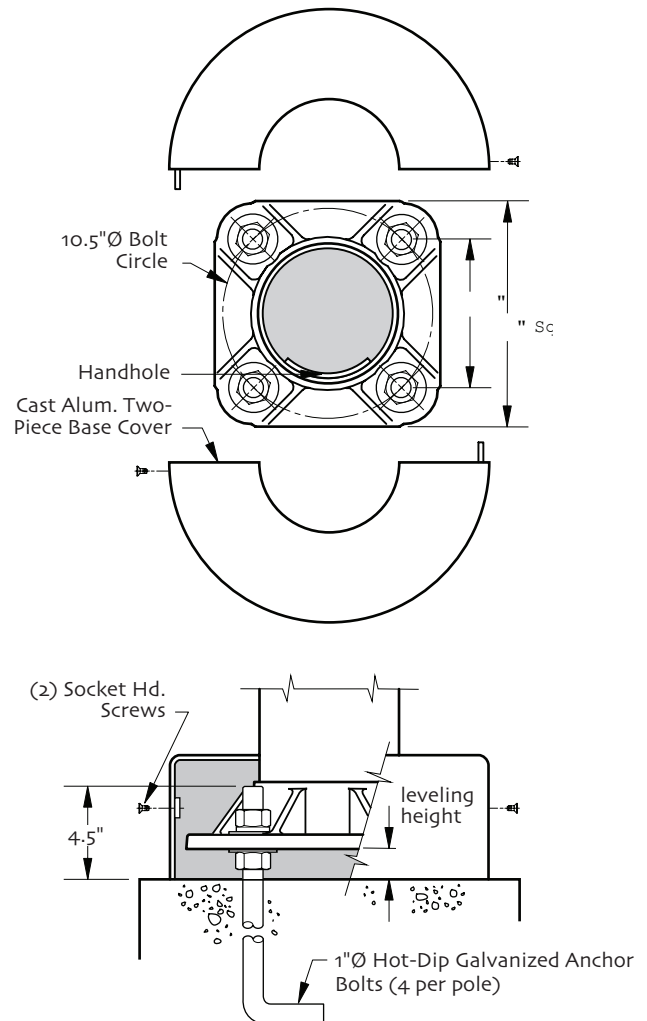
Example: **EPAX 22 S5S7 4-3/8T11 ANPP Options**

Pole Series	Height	Finish ¹
EPAX	20	ANBK Black
	22	ANDB Dark Bronze
	24	ANDG Dark Green
	26	ANVG Verde Green
		ANPP Prime Painted
		CM Custom Match
		CS Custom Select
		RAL colors
Shaft Type		Options
S5S7	5" dia. / 7" dia. shaft	Receptacles
Tenon		Flagpole Holders
4-3/8T11	Standard Tenon	(see Accessories section in the catalog or contact Antique Street Lamps)
4-3/8T8	Tenon for Arm EAL5	
OTO	Tenon for Arm EAK5	

NOTES:

1. For finish specifications and color options, see **Finish** section in catalog or contact Antique Street Lamps.

ANCHORAGE GUIDE



ANTIQUE Street Lamps
An **Acuity** Brands Company

2011-B W. Rundberg Ln. • Austin, TX 78758
Ph (512) 977-8444 • Fax (512) 977-9622
www.antiquestreetlamps.com